



Spare Parts Catalog

9 S 75

Material number: 1308.050.131

Current date: 19.02.2016

ZF Friedrichshafen AG
Hauptverwaltung
80038 Friedrichshafen
Deutschland

Telefon: +49 7541 77-0

Telefax: +49 7541 77-908000

www.zf.com

zuständiges Werk:
Friedrichshafen

Notes relating to the spare parts catalog

Setup of the spare parts catalog

- Cover sheet
- Technical Cover (only in SDM print)
- Overview of figures
- Figure
- Associated parts list
- Next figure
- Associated parts list
- ...

Figure and parts list



Overview of figures

Bildtafel Figure	Sachnummer Product number	Benennung (Description)	Technische Info Technical info	Description (Benennung)	Menge Quantity	Einheit Unit
068.08.17	1316.170.001	AUSLEGER	WL	SHIFT TURRET	1	Stk
068.08.06	1316.170.031	DECKEL	WL*H-H *VM	COVER	1	Stk
068.08.14	1316.170.808	DECKEL	WL*AUSL+GEH*H-H*HF160N	COVER	1	Stk
08	1316.170.441	ANSCHLUSSTEILE	WL*NG-VORB*RG-SCHL*168N *BAJONETT	CONNECTING PARTS	1	Stk

The "gap" indicates that there is no separate graphics panel (poster) for this assembly
The parts of this assembly are shown with the same mid-section number on the figure

1 Positions and subpositions

Pos.	Sachnummer Product number	Benennung (Description)	Technische Info Technical info	Description (Benennung)	Menge Quantity	Einheit Unit
0370	1315.201.054	RUECKLAUFBOLZEN	KPL.16S151*SG*L= 79	REV.IDLER SHAFT	1	Stk
/0120	0631.329.293	SPANNSTIFT		SLOT. PIN	1	Stk

Positions marked with "/" are the individual items of a completion
For example: Position 0370 contains a centering pin with the position /0120

2 Combinations with standardized parts

Pos.	Sachnummer Product number	Benennung (Description)	Technische Info Technical info	Description (Benennung)	Menge Quantity	Einheit Unit
0630		VERSCHL.SCHR.		SCREW PLUG	1	Stk
	0636.302.067	VERSCHL.SCHR.		SCREW PLUG	1	Stk
	0634.801.249	DICHTRING	A 26 X 31	SEALING RING	1	Stk

The parts list shows the components included in the combination of standardized parts

3 Depiction of position/item number on the figure and in the parts list

01.620 - on the figure 01 relates to the assembly in which the position is included. Due to program-related reasons, it is shown on the figure.

0620 - in the parts list

Pos.	Sachnummer Product number	Benennung (Description)	Technische Info Technical info	Description (Benennung)	Menge Quantity	Einheit Unit
0620	0732.040.736	DRUCKFEDER		COMPRESSION SPRING	1	Stk

4 *-Positions

Positions marked with an * are optional i.e. inclusion in the parts list is not mandatory.
The following note is shown on the figure

je nach Stücklistenausführung
depending on spec. number
*
suivant la nomenclature
secondo la distinta base

5 Parts, dotted display

Parts with dotted display on the figure are only used for orientation of other parts

Technical Cover

Page 1 from 3

Material number: 1308.050.131



9 S 75 /

Pos.	Information	Amendment number
001	Use case -----	
002	Customer AB Volvo	
003	City Goeteborg	
004	DUNS 35-395-2559	
005	Product description -----	
006	INSTALLATION POS TRANSMISSION VERTICAL	
007	TRANSMISSION ATTACHMENT FLANGE-MOUNTED	
008	RATIO, BOTTOM GEAR 13.16	
009	RATIO, TOP GEAR 1	
010	SET OF RATIOS DG	
011	RATIO, 1ST GEAR 13.16	
012	RATIO, 2ND GEAR 8.91	
013	RATIO, 3RD GEAR 6.5	
014	RATIO, 4TH GEAR 4.67	
015	RATIO, 5TH GEAR 3.5	
016	RATIO, 6TH GEAR 2.55	
017	RATIO, 7TH GEAR 1.86	
018	RATIO, 8TH GEAR 1.33	
019	RATIO, 1ST GEAR REVERSE 11.74	
020	RATIO, 9TH GEAR 1	
021	RATIO PLANETARY GEAR SET 3.5	
022	NUMBER OF PLANETARY GEARS 5	
024	DESIGN, SHIFT SYSTEM TURNING SHAFT	
025	POSITION, GEAR SHIFT SYSTEM HORIZONTAL LEFT	
026	DESIGN, SHIFT PATTERN UEH	
028	VERSION TUBE R/C PLASTIC PIPING	
029	DESIGN DOWNSHIFT GATE INTERLOCK AIR CONN.9 O/CLOCK	
033	DESIGN, SEPARATING CLUTCH FULL-SYNCHRONIZED	
034	REFERENCE LENGTH INPUT SHAFT 260 mm	
035	STANDARD TYPE INPUT SHAFT SAE	
036	NUMBER OF WEDGES INPUT SHAFT 10	
037	VERSION OF INPUT SHAFT FORM C	
038	DIAMETER, JOURNAL, INPUT SHAFT 25 mm	



Pos.	Information	Amendment number
039	NOMINAL DIAMETER INPUT SHAFT 1.75 in	
040	TYPE FIT SPIGOTS INPUT SHAFT F7	
041	DIAMETER SHAFT OF INPUT SHAFT 44 mm	
042	BUSH VARIANT INPUT SHAFT WITHOUT GROOVE	
046	DIAMETER, RELEASE FLANGE 58 mm	
047	SEALING CAP RELEASE BEAR.FLAN n	
048	TYPE FIT RELEASE BEARING FLA. H8	
049	DESIGN BEARING OUTPUT STANDARD SUSPENSION	
050	OUTER DIA. OUTPUT FLANGE RA 180 mm	
052	NO.OF BORES OUTPUT FLANGE HA1 4	
053	BORE DIA. OUTPUT FLANGE RA 15 mm	
056	REF. LENGTH OUTPUT FLANGE RA 84 mm	
060	DIMENSION SHIFT TURRET DIST. 318 mm	
061	MEAS. LOC. SHIFT TURRET DIST. SHIFT LEVER OUTSIDE EDGE	
068	RADIUS 1 SHIFT LEVER 110 mm	
069	DESIGN, OFFSET, SHIFT LEVER OUTSIDE	
071	LOCATION GEAR SHIFT LEVER TAPER INSIDE	
076	LEVER POSITION SHIFTING OUTPUT C	
082	GEAR SHIFT LEVER ANGLE EPSILON 12 GRAD	
085	SPRING ARRANGEMENT Q6	
086	TOOLING SET OF SPRINGS W018	
087	SPRING FORCE DETENT PLUNGER RG 240 N	
089	SPRING FORCE,GEAR DETENT NG+GG 400 N	
093	STANDARDS TYPE HOLLOW FLANGE HEXAGON SCREW	
094	SELECTION PATTERN VARIANT GEAR SHIFT PATTERN 1	
104	SWITCH, REVERSE GEAR y	
105	DESIGN, RG (REV.GEAR) SWITCH PREPARED	
106	NOTE ON SWITCH, REVERSE GEAR GEAR SHIFT RAIL	
107	PROT.CAP SWITCH, REVERSE GEAR n	
110	SWITCH, NEUTRAL GEAR y	
111	DESIGN,NG(NEUTRAL GEAR)SWITCH WITHOUT GROOVE	
112	PROT.CAP SWITCH, NEUTRAL GEAR n	
117	REF.LENGTH,RELEASE BEAR.FLAN 155 mm	



Pos.	Information	Amendment number
119	FUNCTION OF R/C SWITCH GP	
120	DESIGN, GP SWITCH WITHOUT GROOVE	
121	PROTECTING CAP GP SWITCH n	
130	ATTACHED AGRREGATES 1 WITHOUT WSK	
131	VER. TRANSMISSION VENTILATION BREATHER	
134	ATTACHMENT VARIANT, RETARDER WITHOUT	
155	DESIGN PULSE SENSOR INPUT WITHOUT GROOVE	
156	PROT.CAP PULSE SENSOR INPUT n	
160	NO PULSES PULSE SENSOR TM H70 6 IMP/U	
161	VER. PULSE SENSOR TRANSM. H70 WITHOUT GROOVE	
162	PROT.CAP PULSE SENSOR TM H70 n	
163	ASSEMBLY POS PULSE SENSOR H70 1	
164	NOTE ASS. POS PULSE SENSOR H70 INSTALLATION DRAWING	
169	NOTE ON OIL FILL FILL IN OVERFLOW	
170	POSITION, OIL FILLER HOUSING, RH SIDE	
171	OIL CAPACITY, GEARBOX 9.5 dm3	
172	OIL FILL VARIANT WITHOUT GROOVE	
174	OIL GRADE PERMISSIBLE ACC. TO TE-ML02	
176	COLOR NOT	
179	CODING OUTER CONSERVATION KA1	
180	SCOPE OUTER CONSERVATION T	
181	CODING INNER CONSERVATION KI1	
182	CONSERVATION SPECIFICATION ZFN 916	
189	Alias ID -----	
190	AB Volvo 20386174	

Assembly group overview

Page 1 from 2

Material number: 1308.050.131



9 S 75 /

Graphics	Pos.	Material number	Name	Quantity	Amend. no.	Techn. Info.
064.01.24-1	110	1308.101.111	TRANSMISSION HOUSING	1		
064.01.03-1	116	1308.101.068	HOUSING	1		
064.01.80-1	120	1308.101.830	TRANSMISSION HOUSING	1		
064.02.40-1	140	1308.102.422	CONNECTION PLATE	1		
064.02.80-1	150	1308.102.806	INPUT SHAFT	1		
064.02.01-1	910	1308.102.027	INPUT SHAFT	1		
064.03.80-1	180	1308.103.804	COUNTERSHAFT	1		
064.03.01-1	920	1308.103.004	COUNTERSHAFT	1		
064.04.80-1	190	1308.104.801	MAIN SHAFT	1		
064.04.01-1	930	1308.104.010	MAIN SHAFT	1		
064.R0.03-1	KIT	1308.298.008	SYNCHRONIZER SET	1		
064.R0.04-1	KIT	1308.298.010	SYNCHRONIZER SET	1		
064.05.02-1	220	1308.105.008	RETURN	1		
064.06.09-1	230	1308.106.109	SHIFT SYSTEM	1		
064.06.40-1	236	1308.106.450	CONNECTING PARTS	1		
064.07.01-1	282	1308.107.818	GEAR SHIFT HOUSING	1		
064.07.01-1	910	1308.107.058	GEAR SHIFT HOUSING	1		
064.07.01-1	914	1308.107.416	GEARSHIFT SHAFT	1		
064.08.01-1	926	1308.170.008	SHIFT TURRET	1		
064.08.80-1	934	1308.170.813	COVER	1		
064.12.03-1	922	1308.149.030	SET OF SPRINGS	1		
064.43.03-1	10	1308.131.014	RC HOUSING	1		
064.43.40-1	30	1308.131.400	CLOSING COMPONENTS	1		
064.43.81-1	512	1308.131.801	RC HOUSING	1		
064.44.01-1	40	1308.132.003	PLANETARY DRIVE	1		
064.44.40-1	50	1308.132.418	PLANETARY DRIVE	1		
064.44.01-1	60	1308.132.801	PLANETARY DRIVE	1		
064.45.01-1	70	1308.133.002	SYNCHRONIZER	1		
064.45.40-1	80	1308.133.400	SYNCHRONIZER	1		
064.46.03-1	90	1308.134.008	GP SHIFT SYSTEM	1		
064.46.43-1	554	1308.134.403	CONNECTING PARTS	1		
064.47.03-1	190	1308.135.013	SPEEDOMETER COVER	1		

Assembly group overview

Page 2 from 2

Material number: 1308.050.131



9 S 75 /

Graphics	Pos.	Material number	Name	Quantity	Amend. no.	Techn. Info.
064.47.81-1	194	1308.135.804	SPEEDOMETER COVER	1		
064.57.01-1	390	1308.145.001	RANGE SELECTION	1		
064.R0.03-1	KIT	1308.298.008	SYNCHRONIZER SET	1		
064.R0.01-1	KIT	1308.298.001	SEAL KIT	1		
064.R0.05-1	KIT	1308.298.016	SYNCHRONIZER SET	1		
064.R0.04-1	KIT	1308.298.010	SYNCHRONIZER SET	1		

Plant

Page 1 from 3

Material number: 1308.050.131

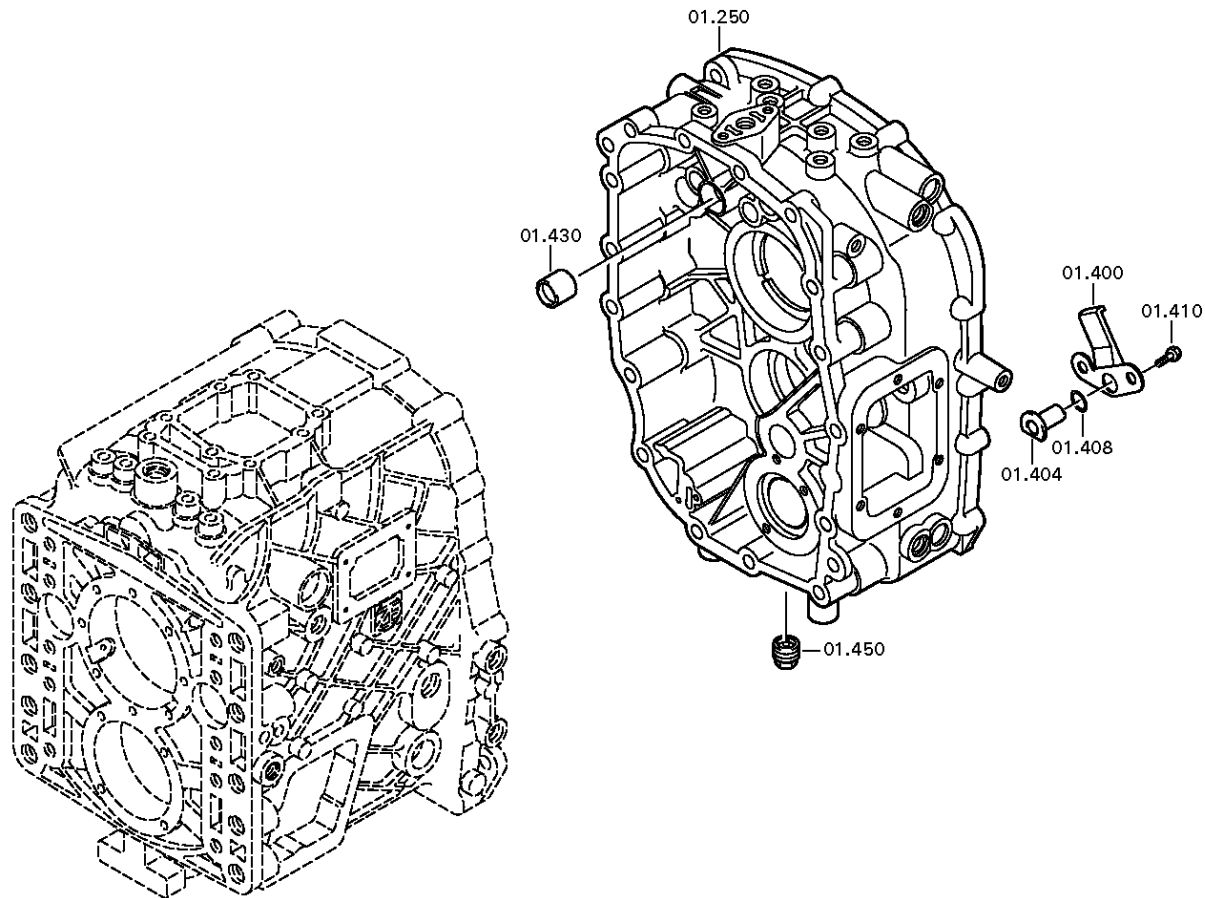
Plant: 064.01.24-1

TRANSMISSION HOUSING



9 S 75 /

TRANSMISSION HOUSING



Plant

Page 2 from 3

Material number: 1308.050.131

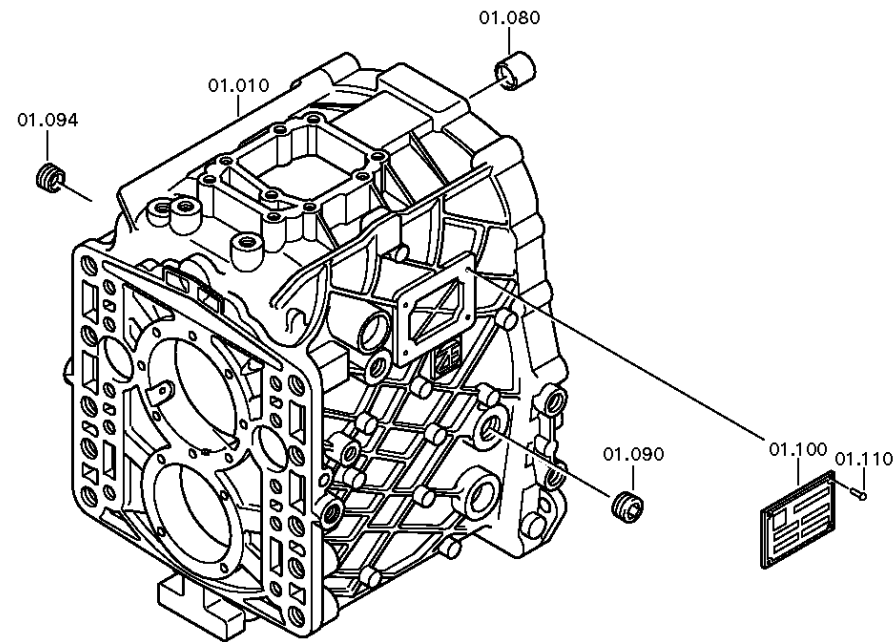
Plant: 064.01.03-1

TRANSMISSION HOUSING



9 S 75 /

TRANSMISSION HOUSING



Plant

Page 3 from 3

Material number: 1308.050.131

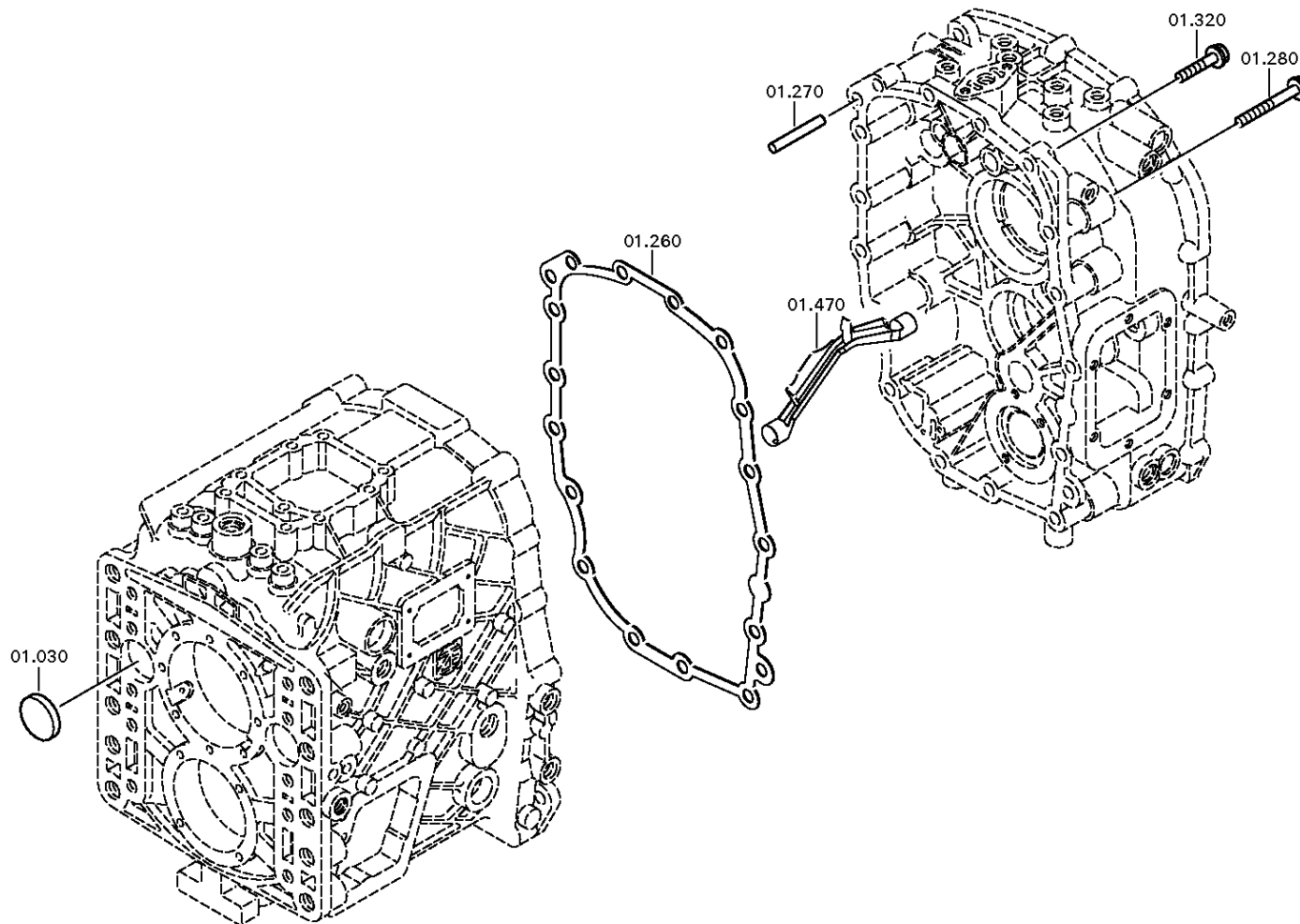
Plant: 064.01.80-1

TRANSMISSION HOUSING



9 S 75 /

TRANSMISSION HOUSING



Plant

Page 1 from 3

Material number: 1308.050.131

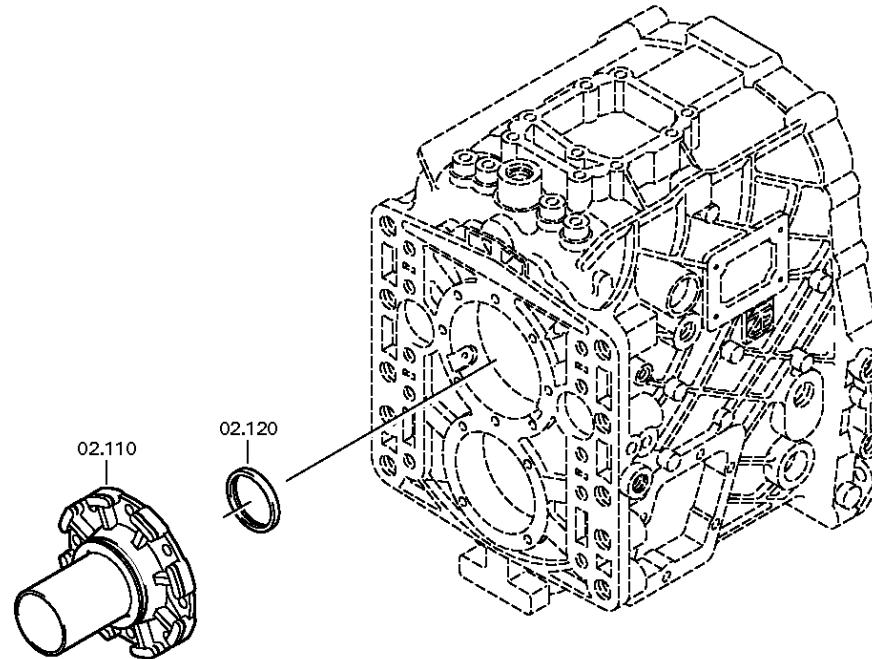
Plant: 064.02.40-1

CONNECTION PLATE



9 S 75 /

CONNECTION PLATE



Plant

Page 2 from 3

Material number: 1308.050.131

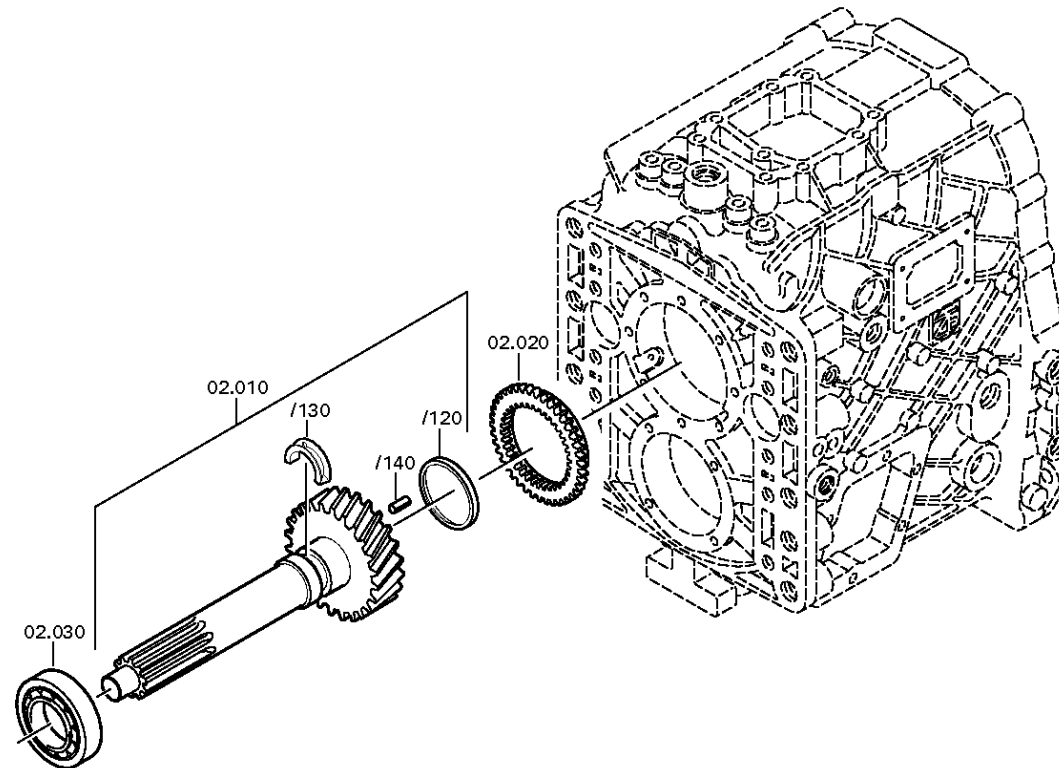
Plant: 064.02.01-1

CONNECTION PLATE



9 S 75 /

CONNECTION PLATE



Plant

Page 3 from 3

Material number: 1308.050.131

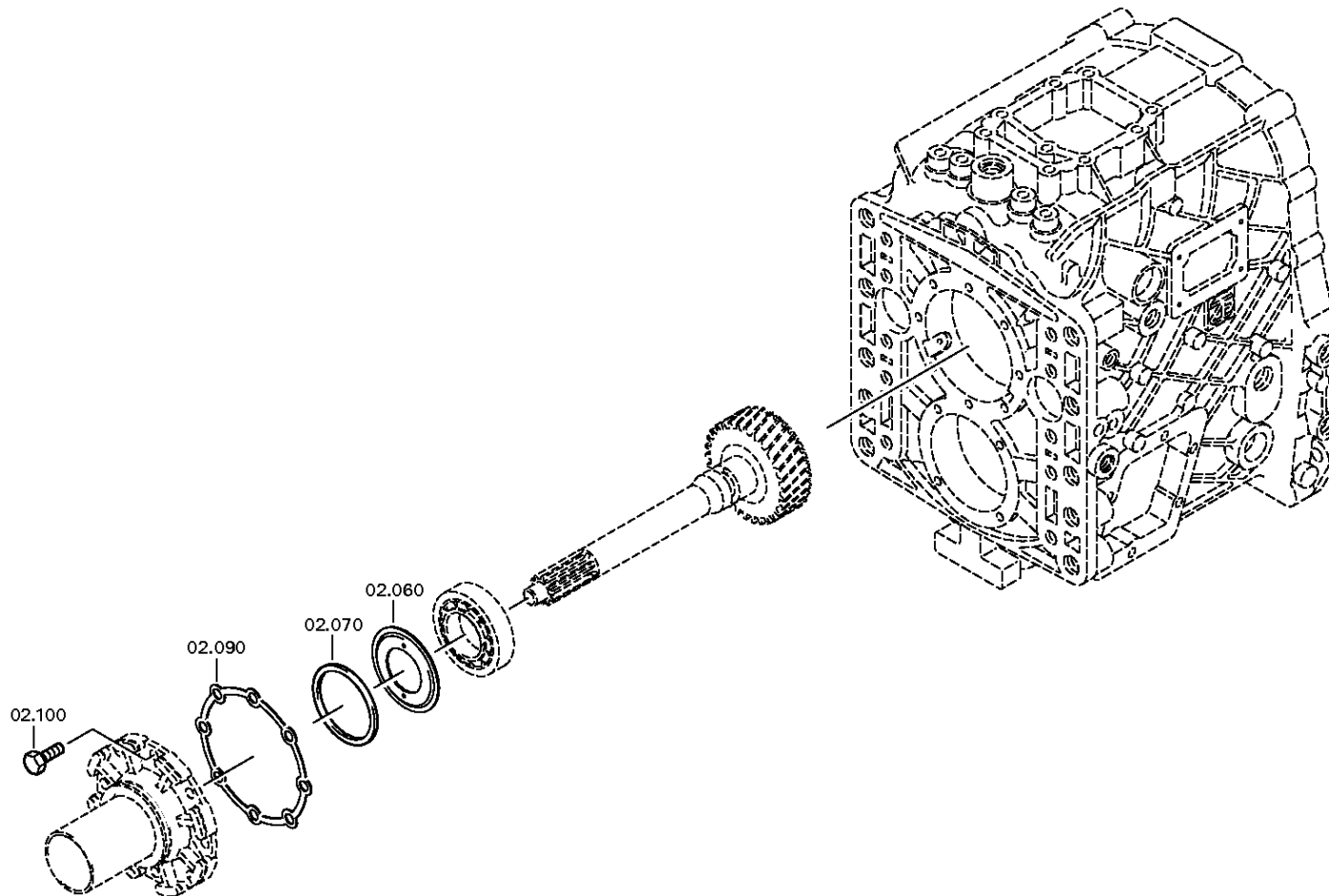
Plant: 064.02.80-1

CONNECTION PLATE



9 S 75 /

CONNECTION PLATE



Plant

Page 1 from 2

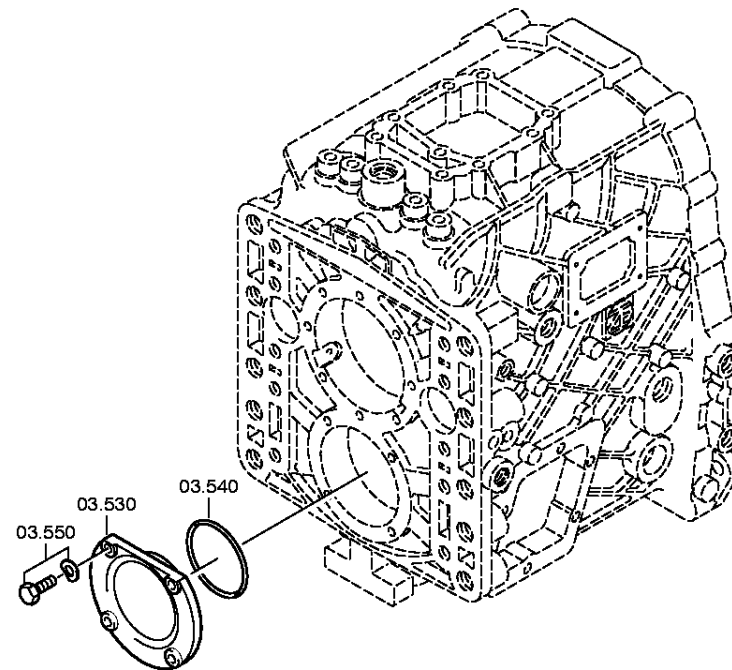
Material number: 1308.050.131

Plant: 064.03.80-1

COUNTERSHAFT



9 S 75 /
COUNTERSHAFT



Plant

Page 2 from 2

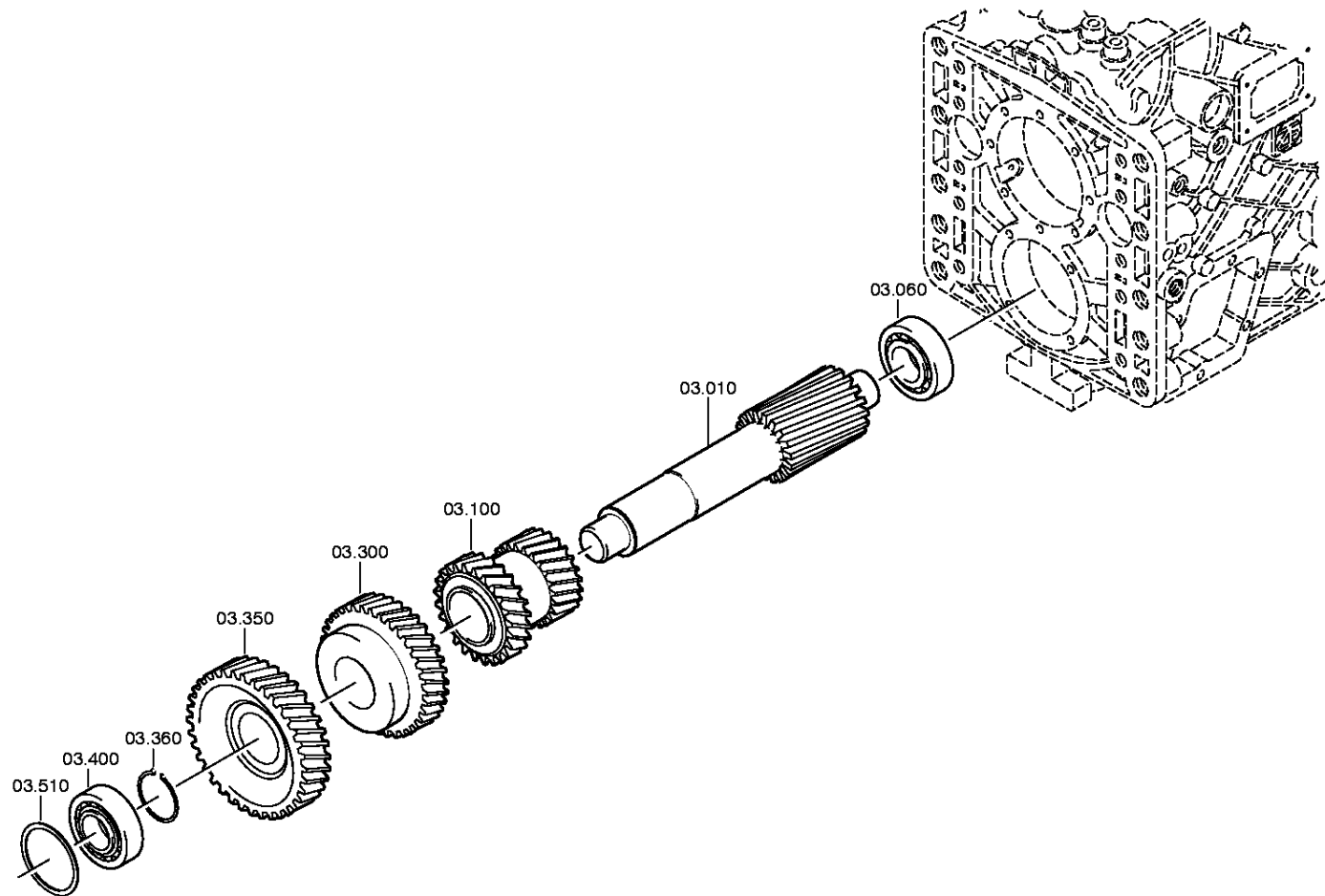
Material number: 1308.050.131

Plant: 064.03.01-1

COUNTERSHAFT



9 S 75 /
COUNTERSHAFT



Plant

Page 1 from 2

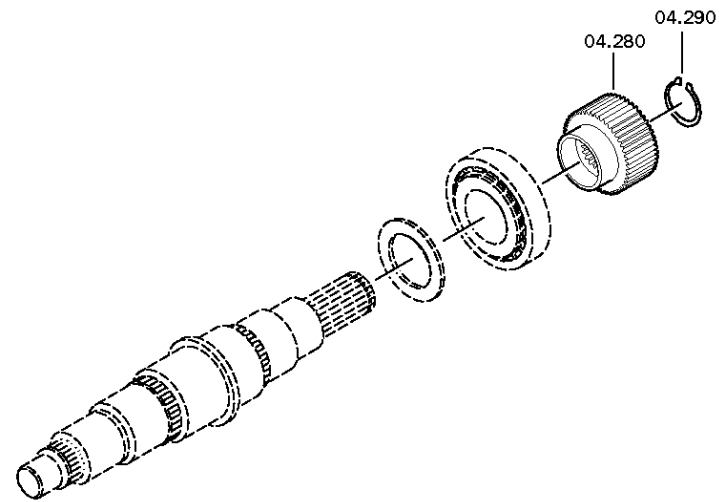
Material number: 1308.050.131

Plant: 064.04.80-1

MAIN SHAFT



9 S 75 /
MAIN SHAFT



Plant

Page 2 from 2

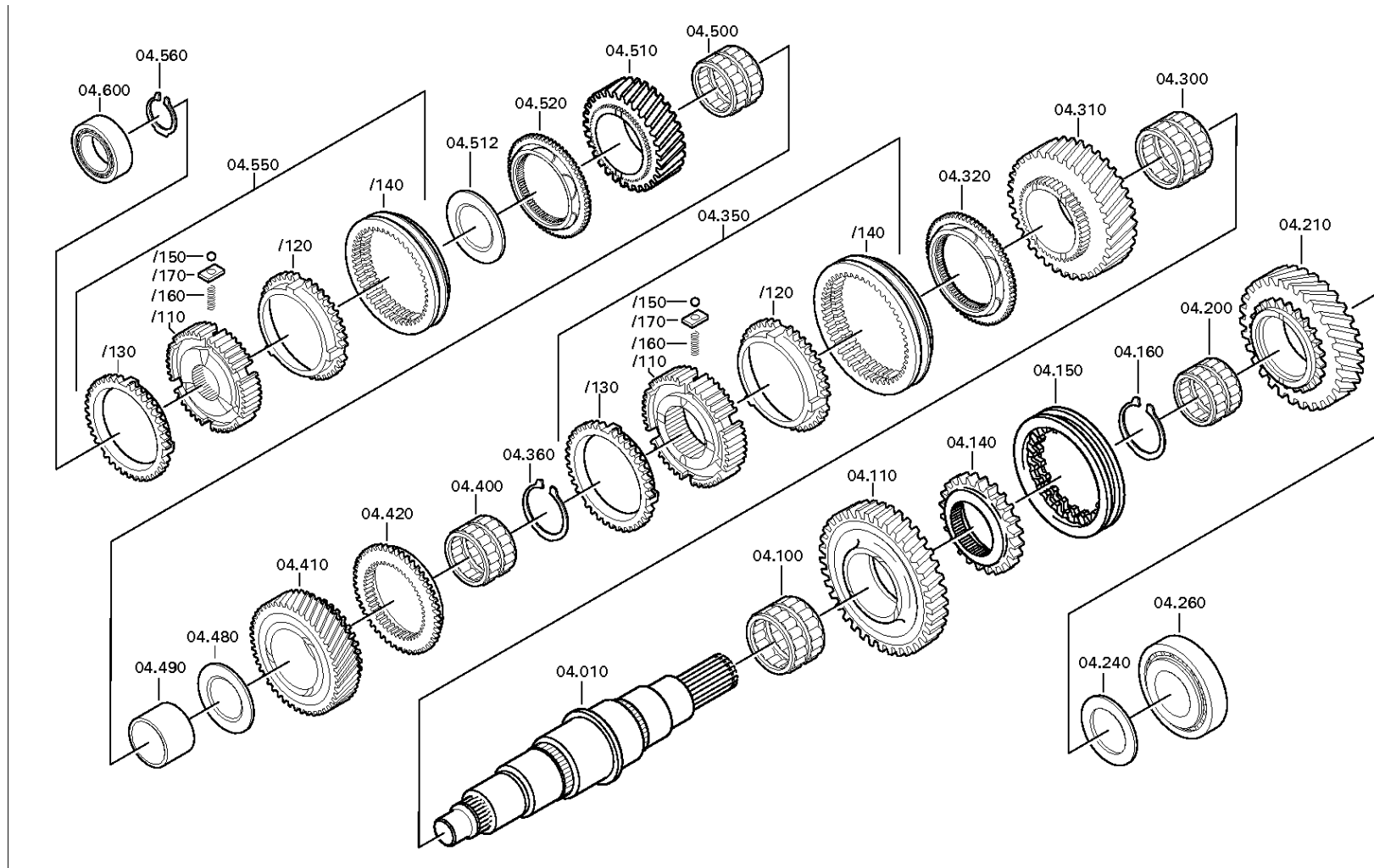
Material number: 1308.050.131

Plant: 064.04.01-1

MAIN SHAFT



9 S 75 /
MAIN SHAFT



Plant

Page 1 from 2

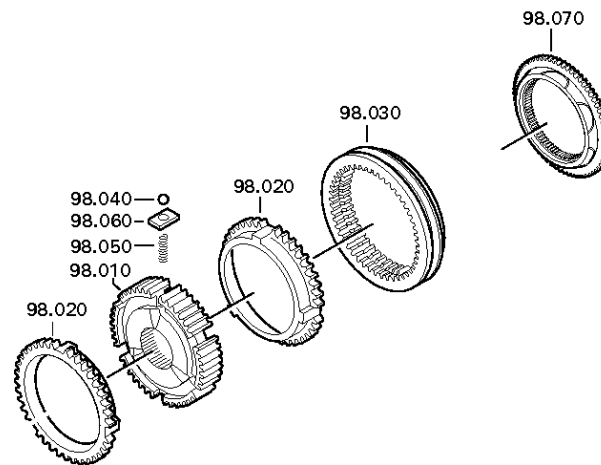
Material number: 1308.050.131

Plant: 064.R0.03-1

SYNCHRONIZER SET



9 S 75 /
SYNCHRONIZER SET



Plant

Page 2 from 2

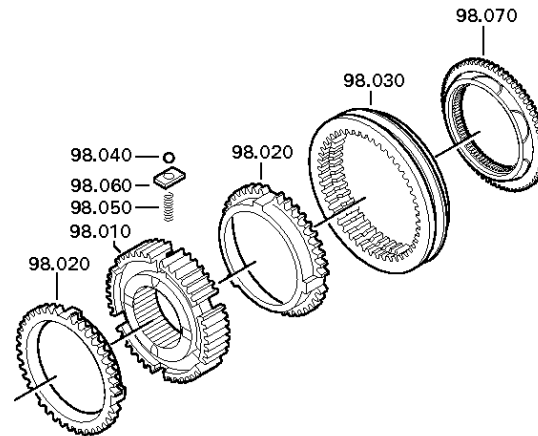
Material number: 1308.050.131

Plant: 064.R0.04-1

SYNCHRONIZER SET



9 S 75 /
SYNCHRONIZER SET



Plant

Page 1 from 1

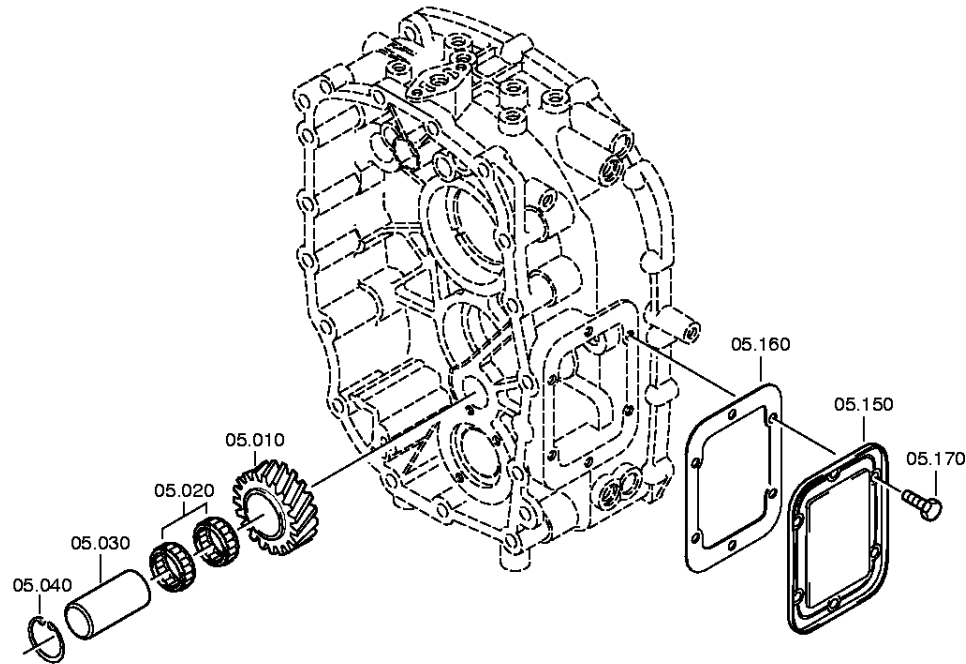
Material number: 1308.050.131

Plant: 064.05.02-1

Material-assembly-group-no: 1308.105.008



9 S 75 /
RETURN



Plant

Page 1 from 2

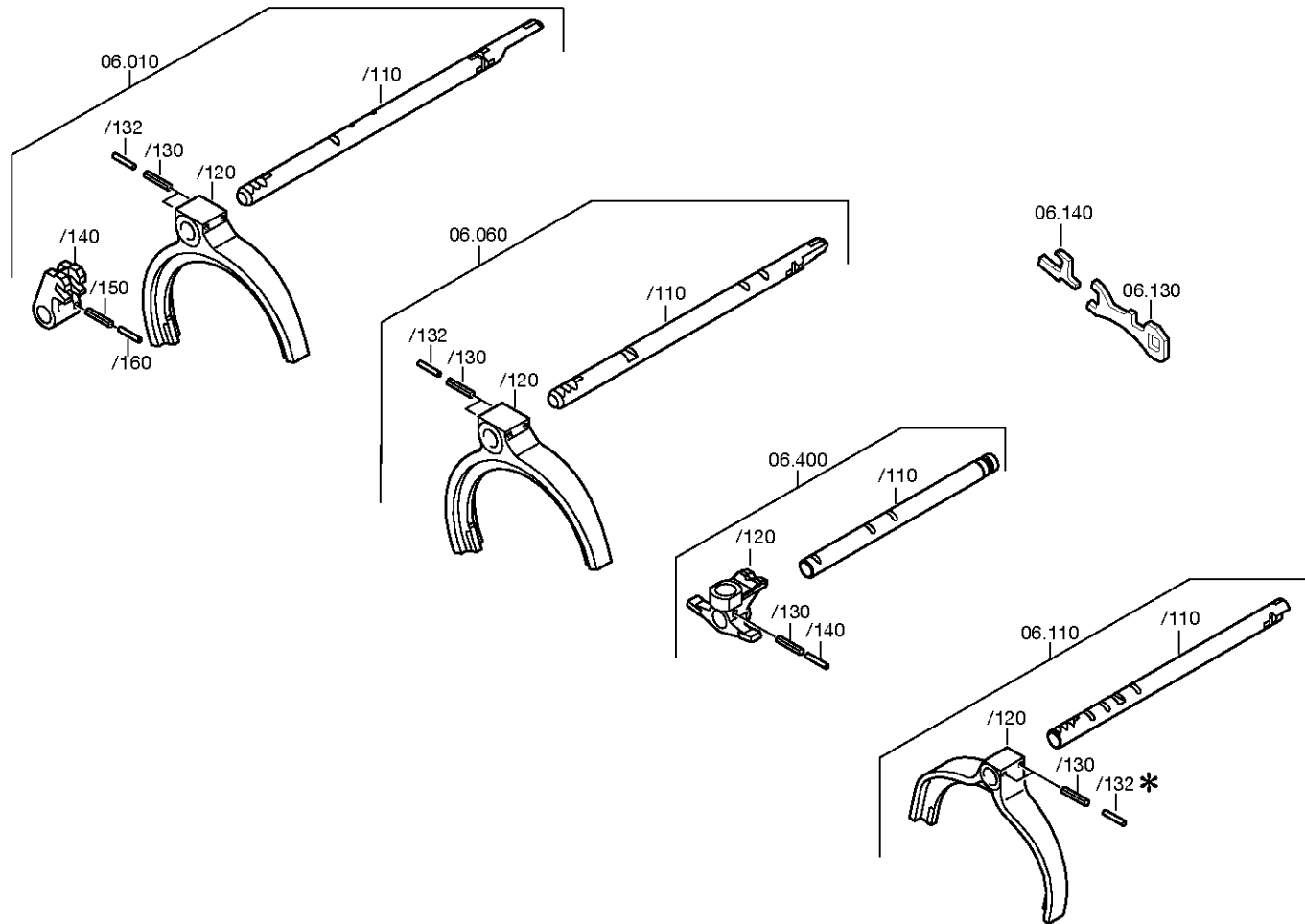
Material number: 1308.050.131

Plant: 064.06.09-1

SHIFT SYSTEM



9 S 75 /
SHIFT SYSTEM



Plant

Page 2 from 2

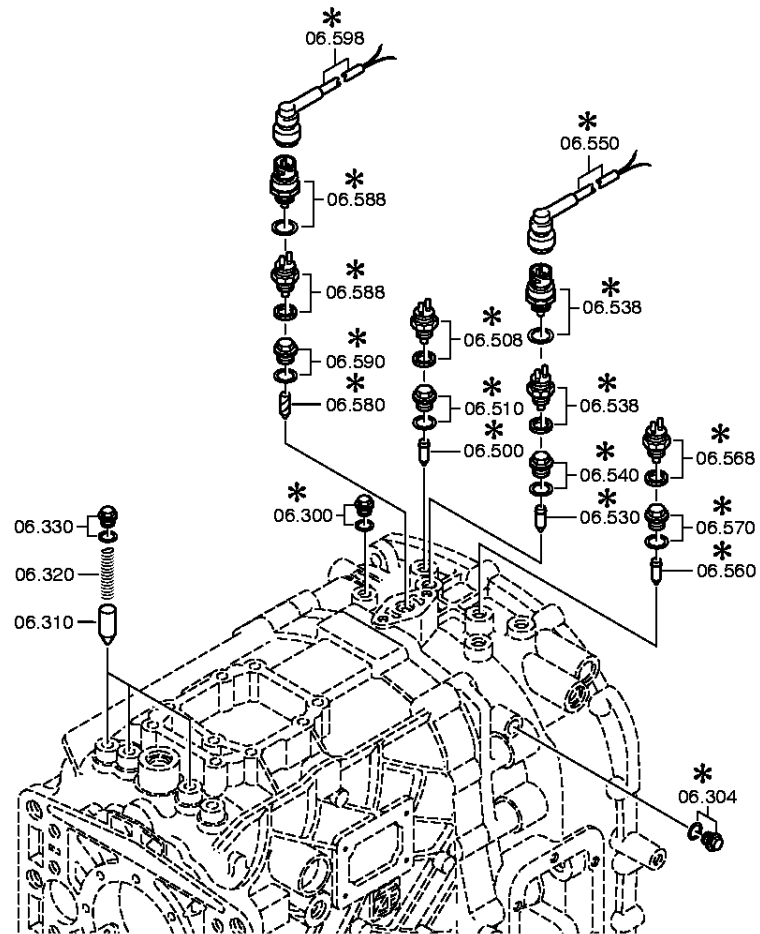
Material number: 1308.050.131

Plant: 064.06.40-1

SHIFT SYSTEM



9 S 75 /
SHIFT SYSTEM



Plant

Page 1 from 1

Material number: 1308.050.131

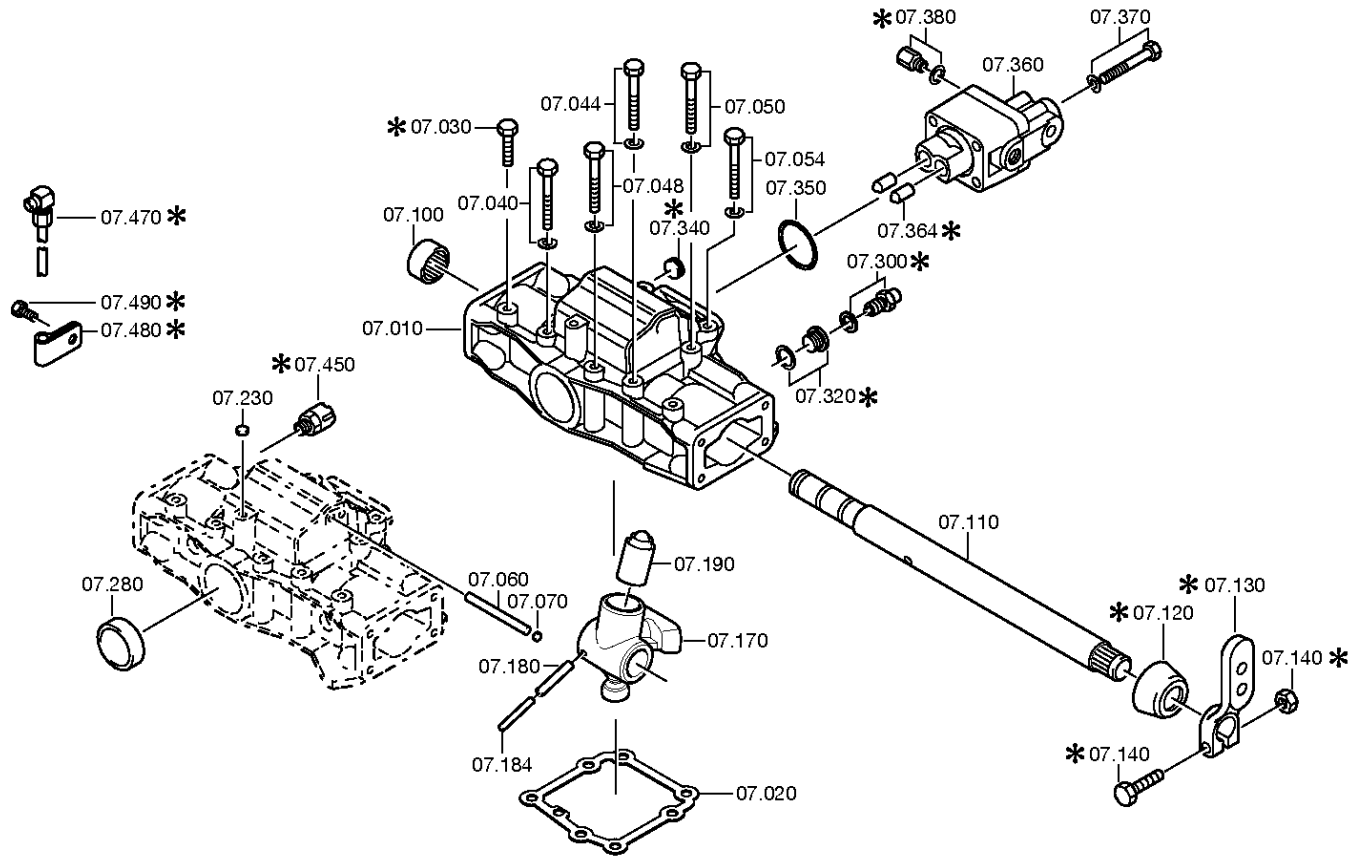
Plant: 064.07.01-1

GEAR SHIFT HOUSING



9 S 75 /

GEAR SHIFT HOUSING



Plant

Page 1 from 2

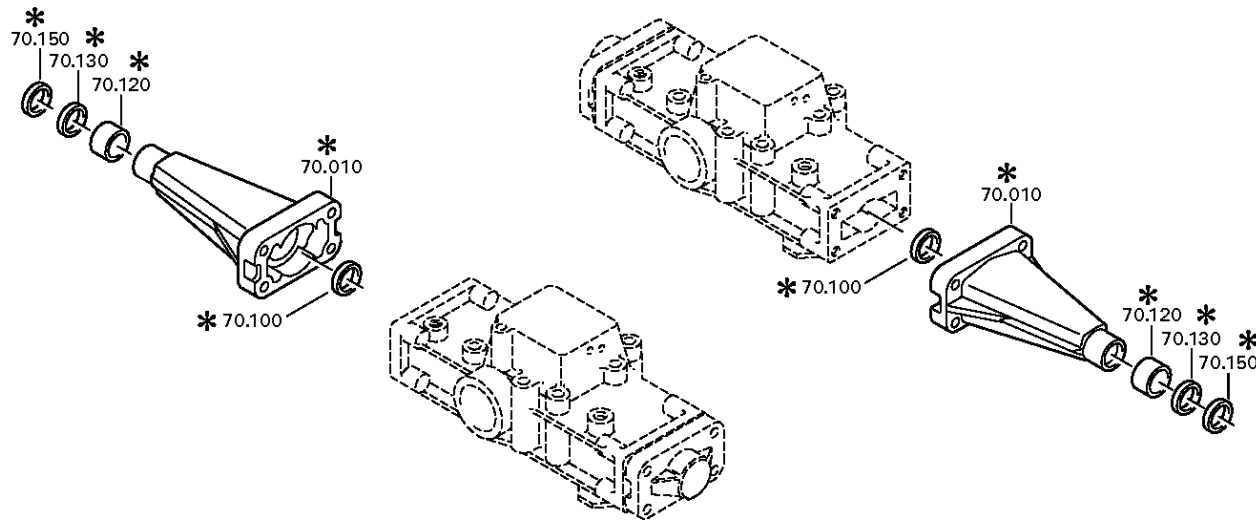
Material number: 1308.050.131

Plant: 064.08.01-1

SHIFT TURRET



9 S 75 /
SHIFT TURRET



Plant

Page 1 from 1

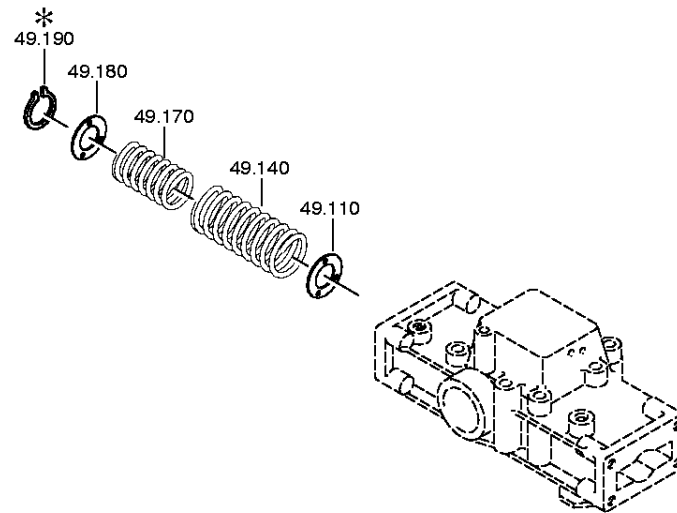
Material number: 1308.050.131

Plant: 064.12.03-1

Material-assembly-group-no: 1308.149.030



9 S 75 /
SET OF SPRINGS



Plant

Page 1 from 3

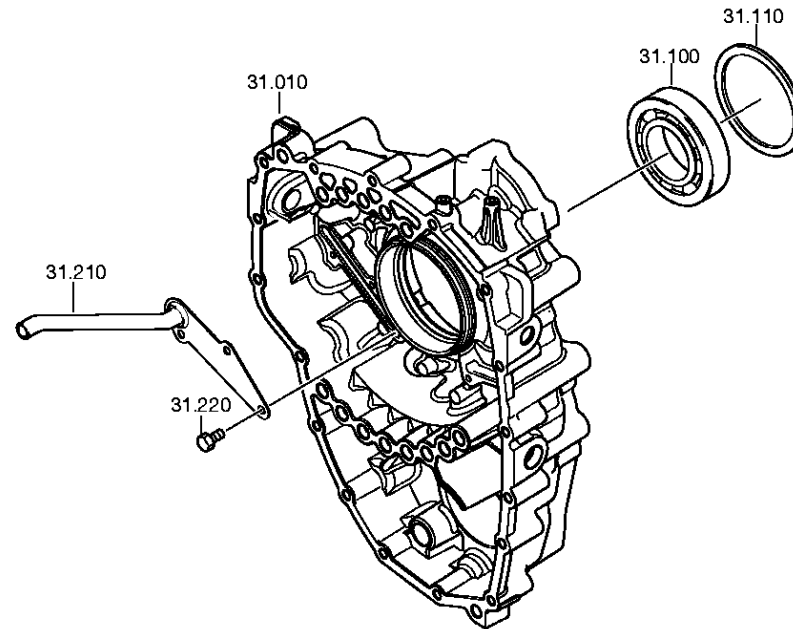
Material number: 1308.050.131

Plant: 064.43.03-1

RC HOUSING



9 S 75 /
RC HOUSING



Plant

Page 2 from 3

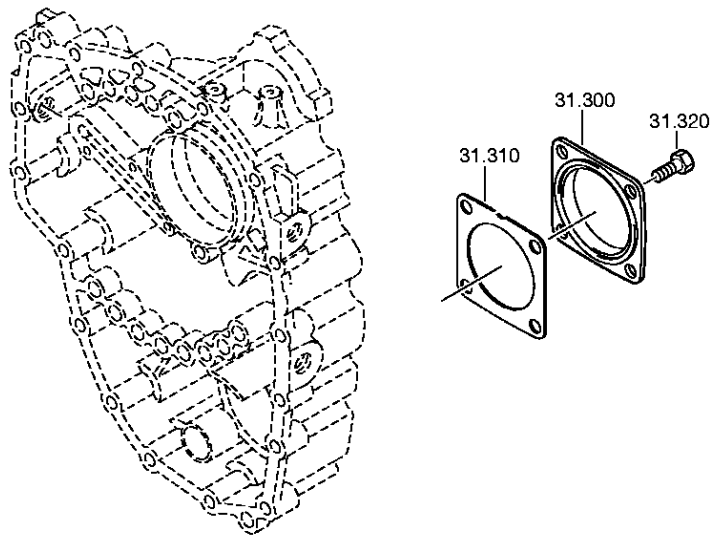
Material number: 1308.050.131

Plant: 064.43.40-1

RC HOUSING



9 S 75 /
RC HOUSING



Plant

Page 3 from 3

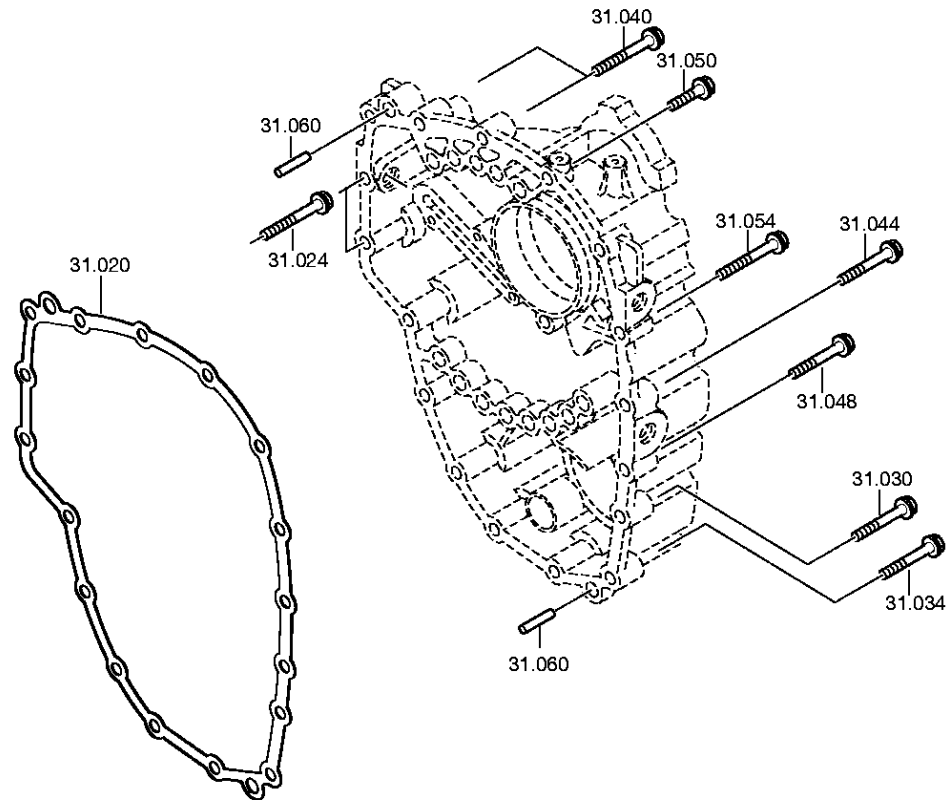
Material number: 1308.050.131

Plant: 064.43.81-1

RC HOUSING



9 S 75 /
RC HOUSING



Plant

Page 1 from 2

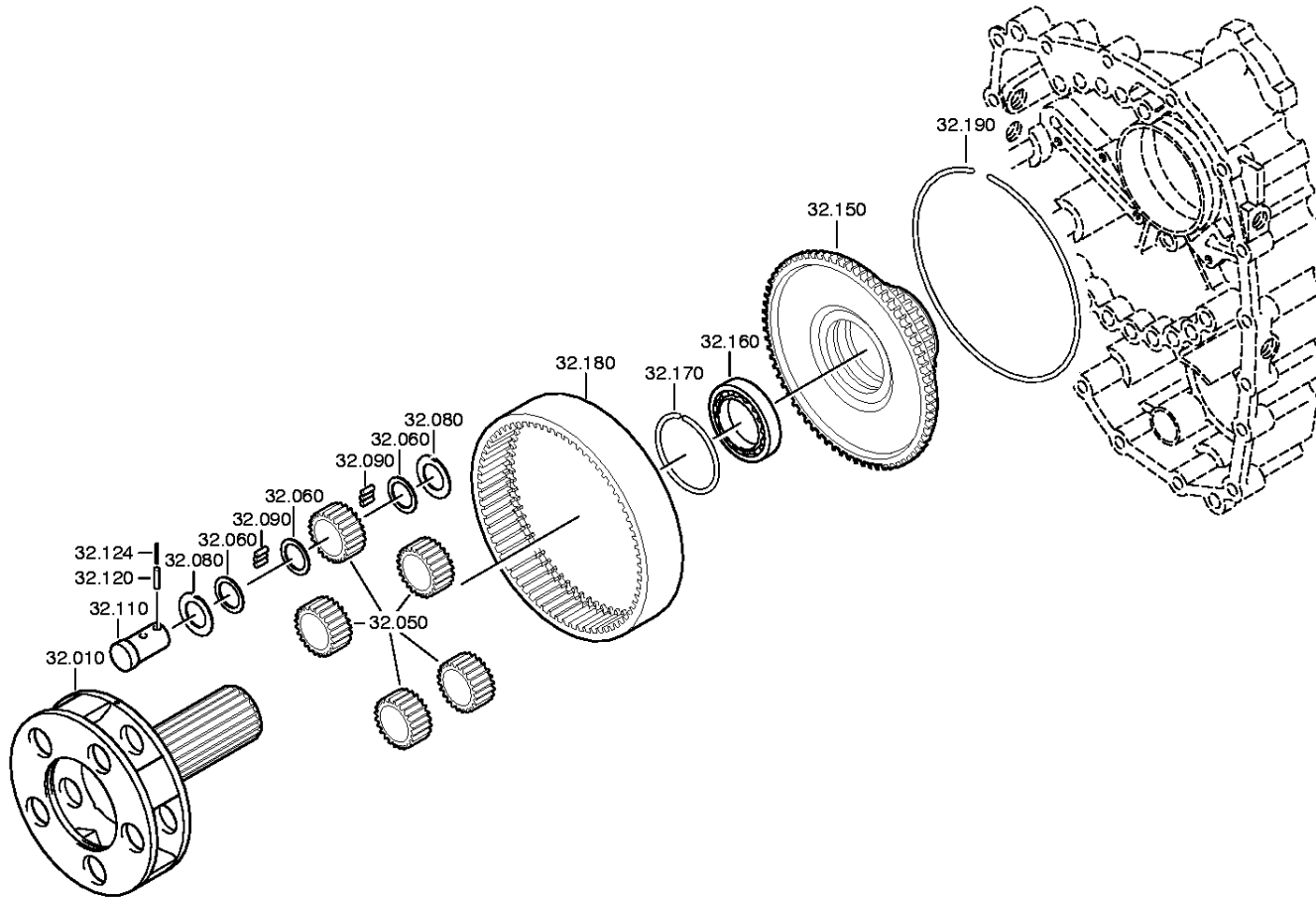
Material number: 1308.050.131

Plant: 064.44.01-1

PLANETARY DRIVE



9 S 75 /
PLANETARY DRIVE



Plant

Page 2 from 2

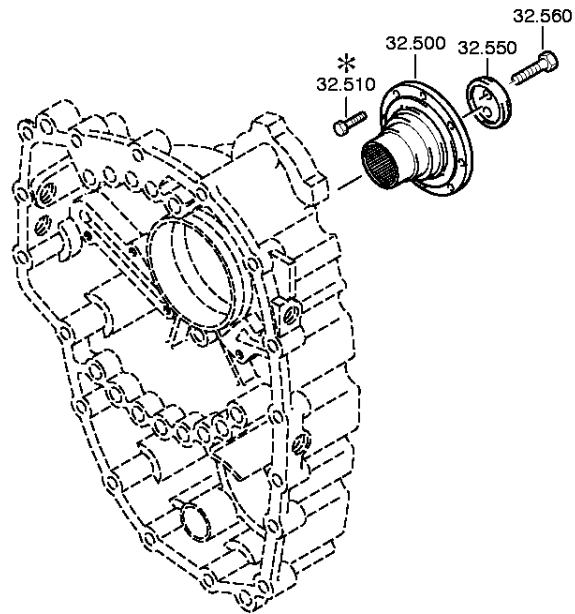
Material number: 1308.050.131

Plant: 064.44.40-1

PLANETARY DRIVE



9 S 75 /
PLANETARY DRIVE



Plant

Page 1 from 2

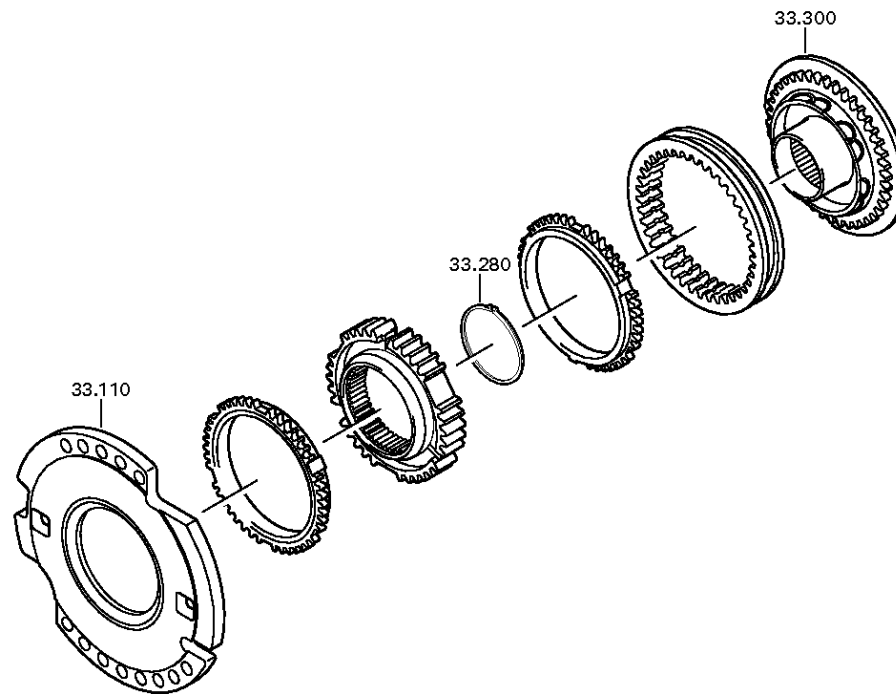
Material number: 1308.050.131

Plant: 064.45.01-1

SYNCHRONIZER



9 S 75 /
SYNCHRONIZER



Plant

Page 2 from 2

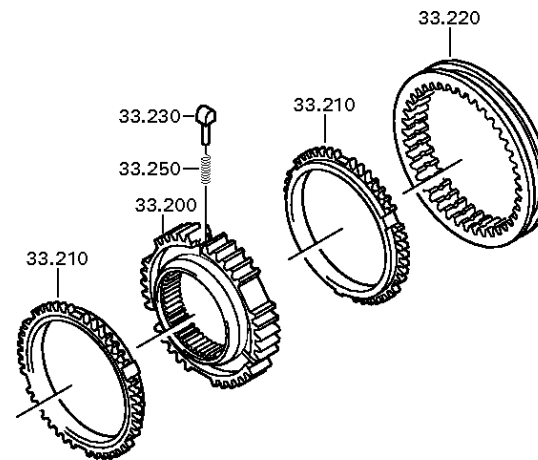
Material number: 1308.050.131

Plant: 064.45.40-1

SYNCHRONIZER



9 S 75 /
SYNCHRONIZER



Plant

Page 1 from 2

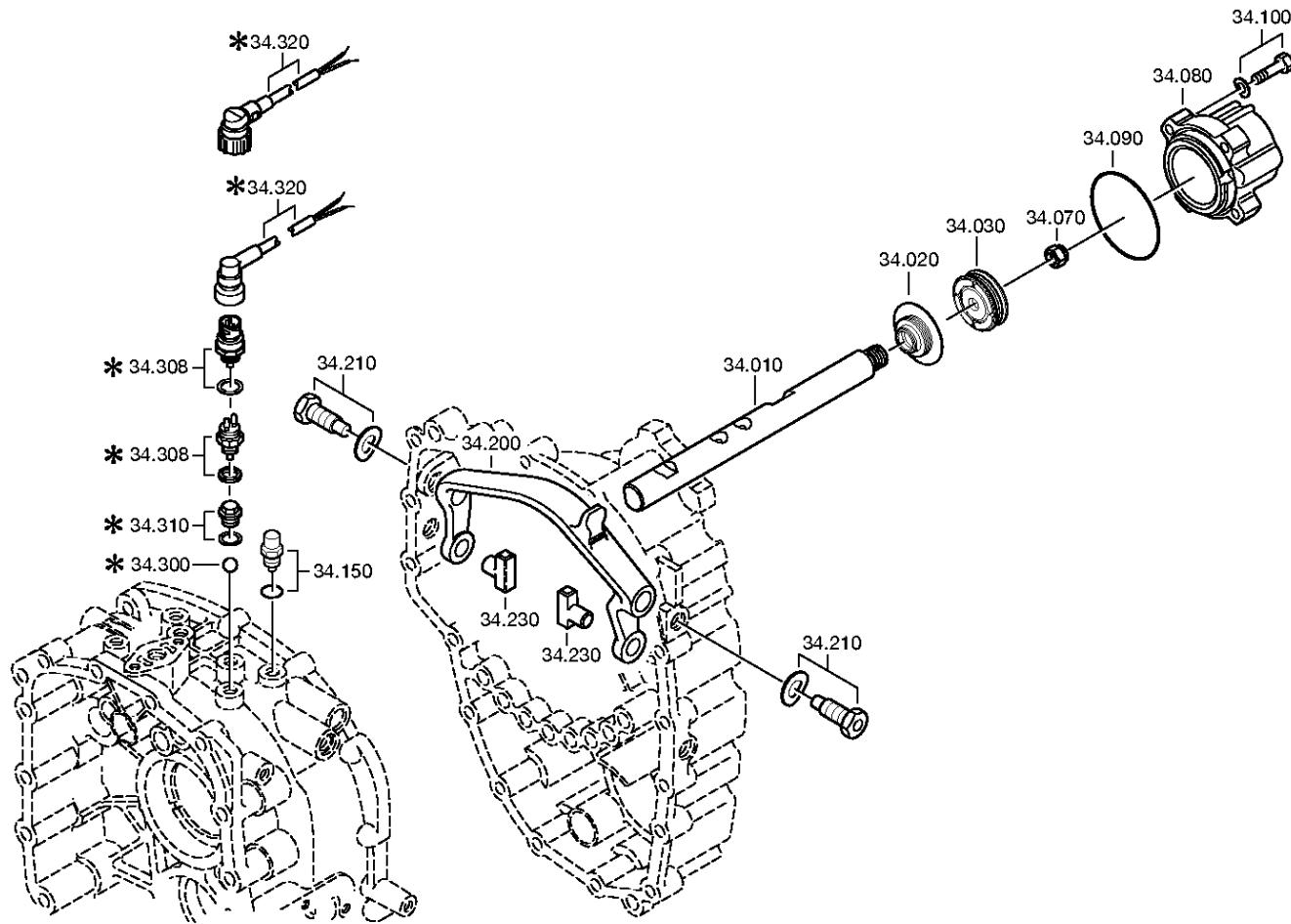
Material number: 1308.050.131

Plant: 064.46.03-1

GP SHIFT SYSTEM



9 S 75 /
GP SHIFT SYSTEM



Plant

Page 2 from 2

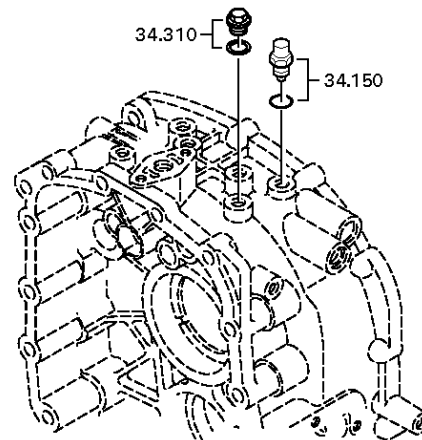
Material number: 1308.050.131

Plant: 064.46.43-1

GP SHIFT SYSTEM



9 S 75 /
GP SHIFT SYSTEM



Plant

Page 1 from 2

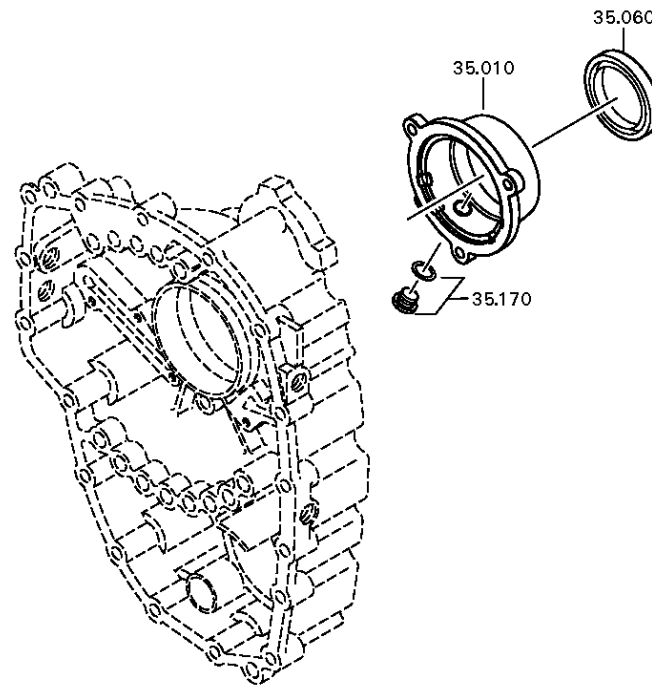
Material number: 1308.050.131

Plant: 064.47.03-1

SPEEDOMETER COVER



9 S 75 /
SPEEDOMETER COVER



Plant

Page 2 from 2

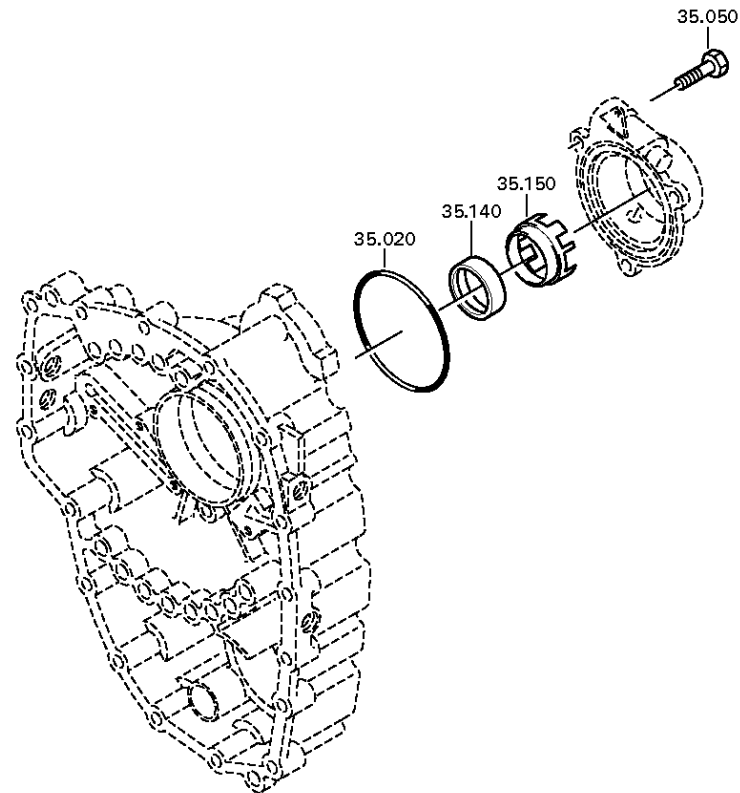
Material number: 1308.050.131

Plant: 064.47.81-1

SPEEDOMETER COVER



9 S 75 /
SPEEDOMETER COVER



Plant

Page 1 from 1

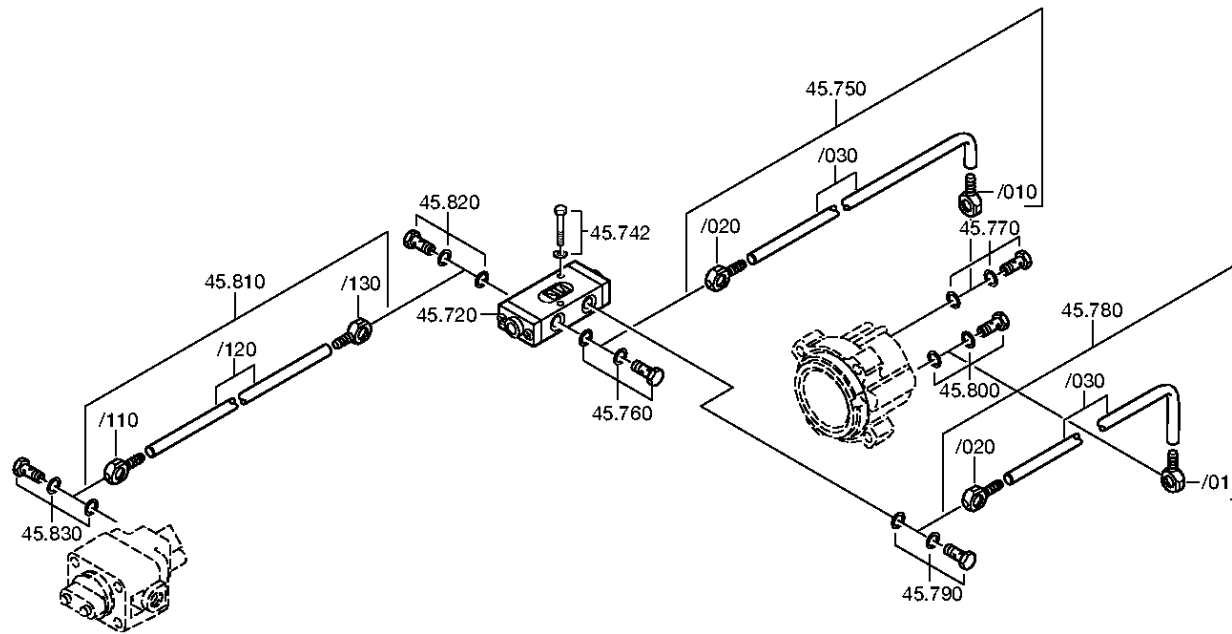
Material number: 1308.050.131

Plant: 064.57.01-1

Material-assembly-group-no: 1308.145.001



9 S 75 /
RANGE SELECTION



Plant

Page 1 from 1

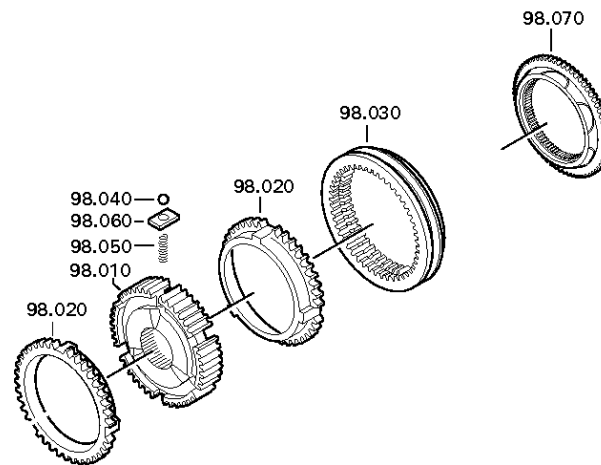
Material number: 1308.050.131

Plant: 064.R0.03-1

Material-assembly-group-no: 1308.298.008



9 S 75 /
SYNCHRONIZER SET



Plant

Page 1 from 1

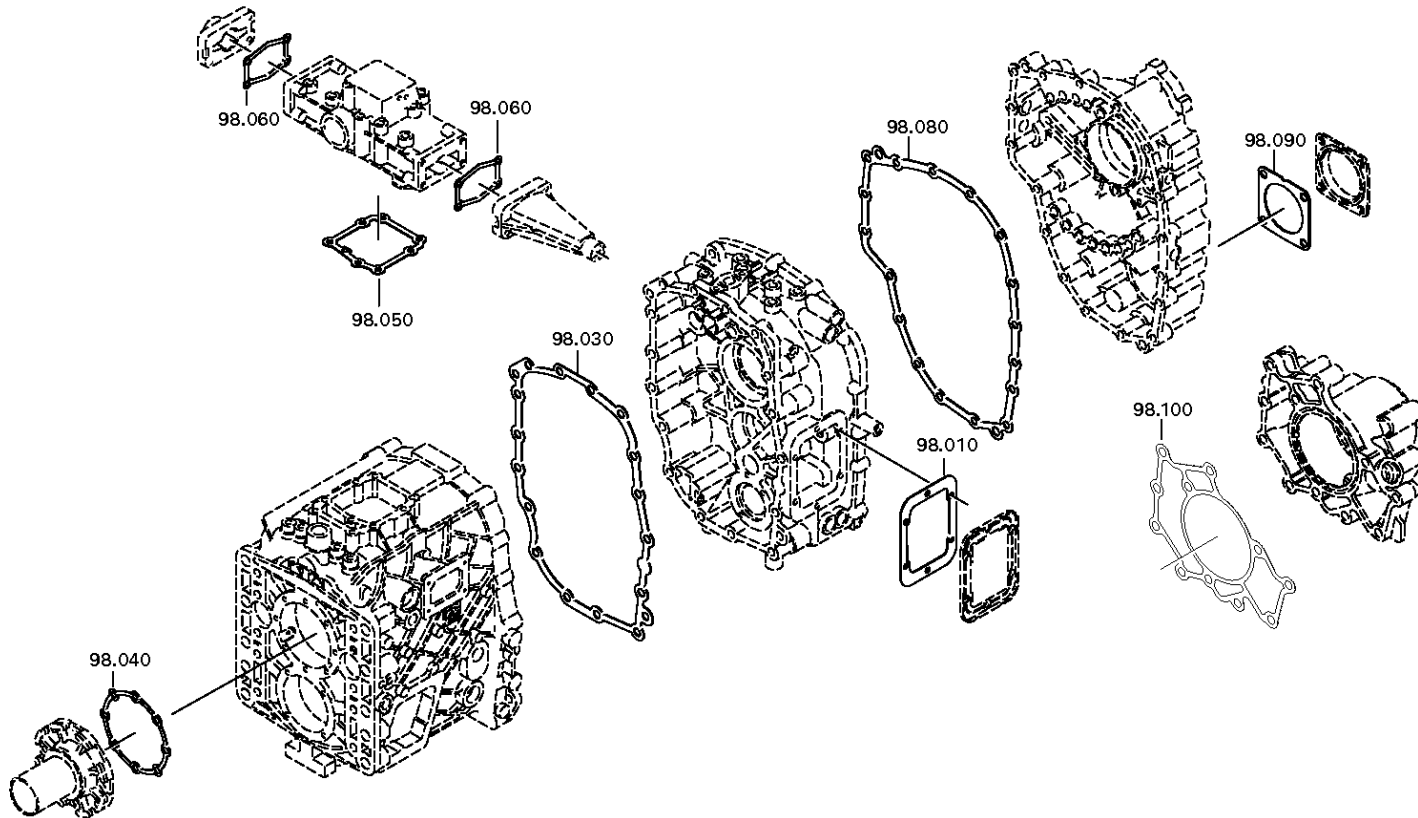
Material number: 1308.050.131

Plant: 064.R0.01-1

Material-assembly-group-no: 1308.298.001



9 S 75 /
SEAL KIT



Plant

Page 1 from 1

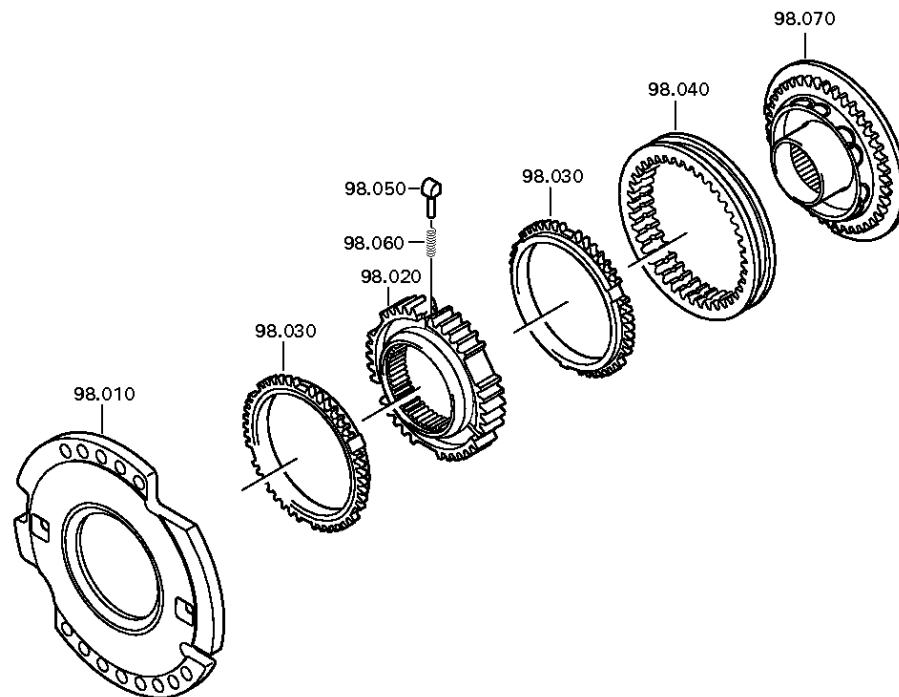
Material number: 1308.050.131

Plant: 064.R0.05-1

Material-assembly-group-no: 1308.298.016



9 S 75 /
SYNCHRONIZER SET



Plant

Page 1 from 1

Material number: 1308.050.131

Plant: 064.R0.04-1

Material-assembly-group-no: 1308.298.010



9 S 75 /
SYNCHRONIZER SET

